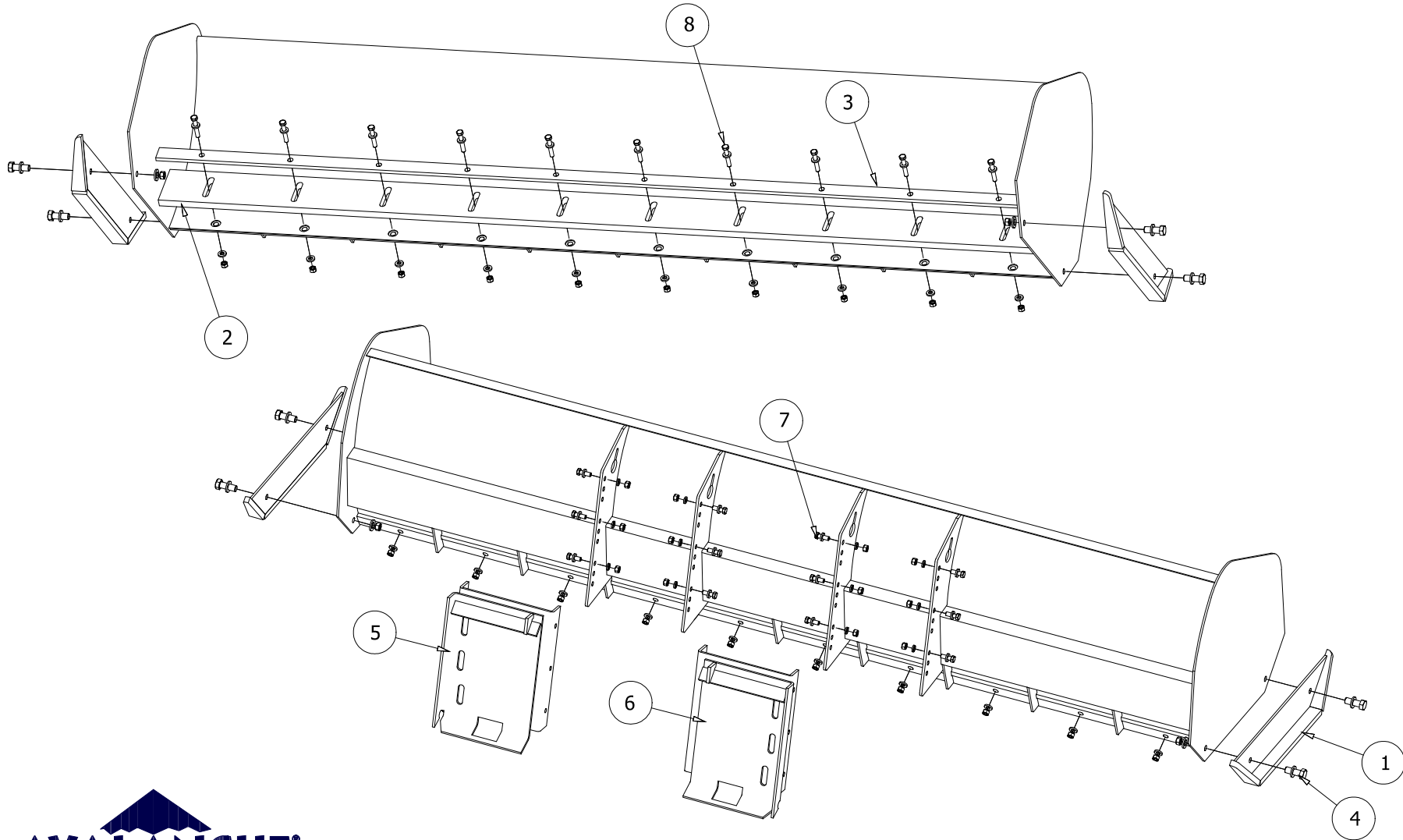


CTASC-XX* Series

Rubber Edge Box Plow

Parts List

CTASC-XX REPLACEMENT PARTS LIST			
ITEM	QTY	PART NUMBER	DESCRIPTION
1	2	BAA007	WEAR SHOE
2	1	RAA007-XX	RUBBER CUTTING EDGE
3	2	CAA014-XX	HOLD DOWN BAR
4	4	KAA002	WEAR SHOE FASTENER KIT
5	1	BAA008L	COUPLER PLATE - LEFT
6	1	BAA008R	COUPLER PLATE - RIGHT
7	12	KAA005	COUPLER PLATE FASTENER KIT
8	AS PER LENGTH	KAA006	RUBBER CUTTING EDGE FASTENER KIT



LAST UPDATED ON 22.AUG.2006



* CTASC (-XX) SUFFIX DENOTES STANDARD LENGTHS OF 8', 10', 12' AND CUSTOM LENGTHS
E.G.: CTASC-10 DENOTES A 10' CTASC RUBBER EDGE PLOW