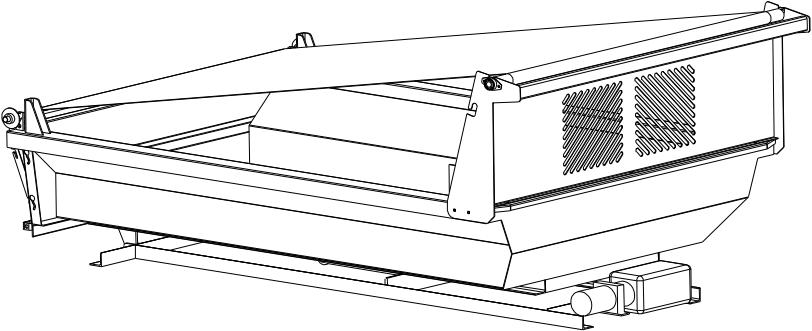
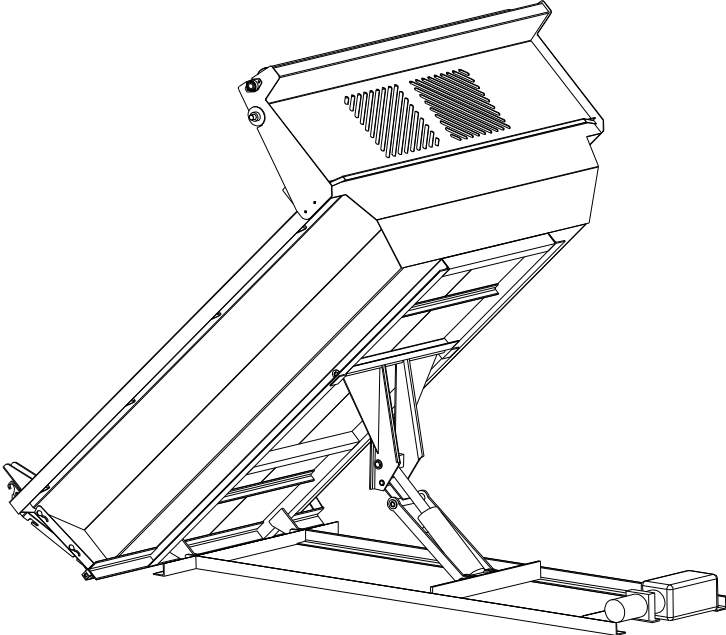


Avalanche® Landslide®

Dump Insert

Owner's Manual



You Never Regret Buying Quality

TABLE OF CONTENTS

- 3. Safety**
- 4. Main Components View**
- 5. Installation & Maintenance**
- 7. Floor Frame Diagram**
- 8. Channel Bracket Diagram**
- 9. Warranty**
- 11. Contact Information**

Congratulations on your purchase of a Landslide Dump Insert. We have built your unit with quality and pride. We hope you will enjoy many years of reliable service from it. To ensure that you do, please follow the instructions and guidance contained in this manual.

SAFETY

LEARN EQUIPMENT SAFETY

Carefully read this manual. Learn how to safely operate the Landslide spreader and how to use the controls properly. Do not allow anyone to operate the Landslide spreader without proper training and instruction. Unauthorized modification to the Landslide spreader may impair the function and/or safety of the unit.

FOLLOW SAFETY INSTRUCTIONS

Read all safety messages in this manual and on the Landslide spreader safety labels. Follow recommended precautions and safe operating practice. Maintain all safety labels on the Landslide spreader in good condition. Replace missing or damaged safety labels with new labels available through your Avalanche Landslide dealer.

UNDERSTANDING SAFETY SYMBOLS

The purpose of safety symbols is to attract attention to possible dangers. The safety symbols and explanations with them deserve your careful attention. The safety warnings do not by themselves eliminate any danger. The instructions or warnings they give are not substitutes for proper accident prevention measures.

DANGER! Identifies the most serious hazards.

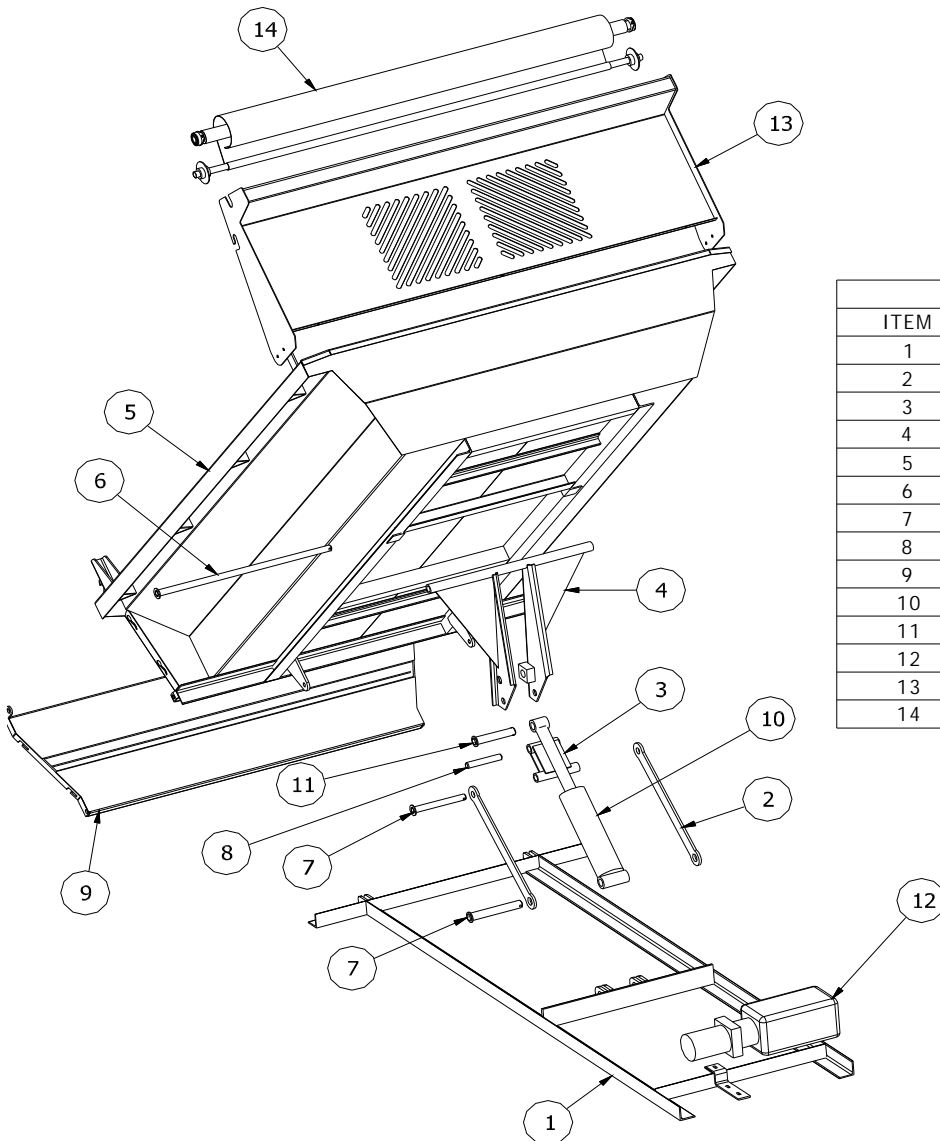
WARNING! Failure to obey a safety warning can result in injury to yourself and others.

NOTE: Advises of general information or instructions vital to the operation or maintenance of the equipment.

MAIN COMPONENTS VIEW

Parts List

Each Landslide Dump Insert includes the frame, hoist and controls, dump bed, and hardware kit. The hardware kit includes 4 carriage bolts, 8 flat washers, 4 lock washers, 4 nuts, 100 A circuit breaker, harness, 2 self-tapping screws and 2 gate chains.



Parts List	
ITEM	DESCRIPTION
1	FLOOR FRAME SUB-ASSEMBLY
2	SISSOR ARM
3	SISSOR PLATE SUB-ASSEMBLY
4	SISSOR LIFT BRACKET SUB-ASSEMBLY
5	BED SUB-ASSEMBLY
6	PIN AND WASHER SUB-ASSEMBLY
7	PIN AND WASHER SUB-ASSEMBLY
8	SISSOR LIFT PIN
9	TAIL GATE SUB-ASSEMBLY
10	HYDRAULIC CYLINDER
11	PIN AND WASHER SUB-ASSEMBLY
12	POWER PACK
13	CAB PROTECTOR SUB-ASSEMBLY
14	CAB PROTECTOR ASSEMBLY

INSTALLATION

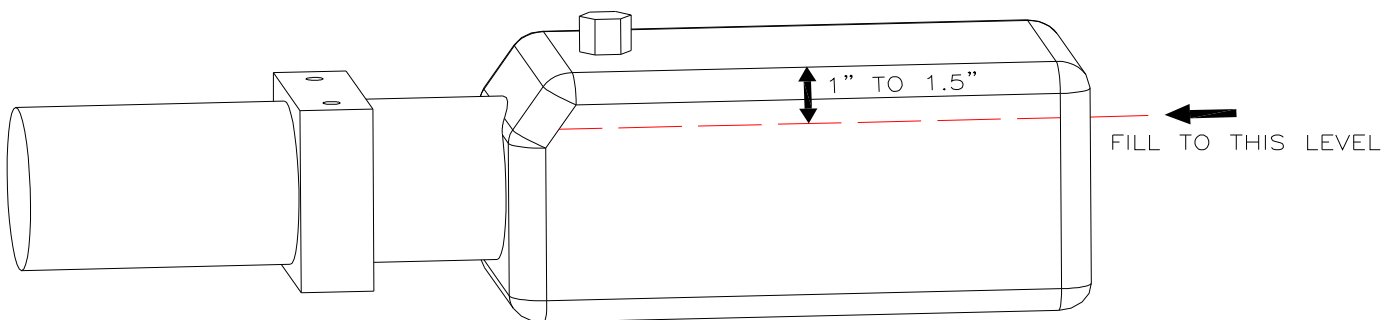
1. Remove tailgate from truck. If the truck has a removable bed liner or mat, it should be removed.
2. Check the Power Pack's hydraulic fluid reservoir. With the Landslide in the down position, the fluid in the reservoir should be within 1" to 1 ½" of the top of the tank. If necessary, fill with ATF (automatic transmission fluid) before operating. (see diagram)

On most trucks, you will need to drill four 5/8" diameter holes to mount the insert. Some pickup truck brands have bolts in the bed that extend through the cross members or frame. Use the existing bolt holes to mount the frame of the dump insert. (see diagram)

CAUTION

Before drilling holes, identify the location of your fuel tank. Take care to avoid damaging the tank or other obstructions. Make sure there are no obstructions such as wires, brake lines, and heat shields in the path of drilling.

The two holes at the front of the truck should go through the cross member closest to the front of the truck. These holes will be approximately 13 1/8" to the right and left of the center of the truck bed. The two holes at the rear of the truck should go through the center of the top frame rail, approximately 4 3/4" in from the rear of the truck bed.



INSTALLATION (continued)

3. Slide the Landslide Floor Frame completely into truck bed, checking for proper clearance. Center the Floor Frame unit in the truck bed. The rear cross member of Floor Frame must not extend beyond truck bed. Allow ½" minimum clearance between Landslide and front wall of the truck bed. Mark locations for holes. Drill 5/8" holes through pickup floor and cross member. You will need to drill matching holes on the Landslide Floor Frame also.

4. Connect Landslide body to floor frame at the pivot points. Use the safety bar when working under the dump insert body.

(See diagram on page 7.)

5. Run the cables back from the vehicle battery, under the cab, and up between the cab and truck bed. We recommend wrapping the cable in wire loom to protect it from damage. Keep the cable clear of the exhaust system and protect at points of rubbing and sharp edges. Do not expose the cable below the frame and prevent it from drooping.

CAUTION

Do not connect the cables to the battery yet. Take extreme care when positioning and securing the cable.

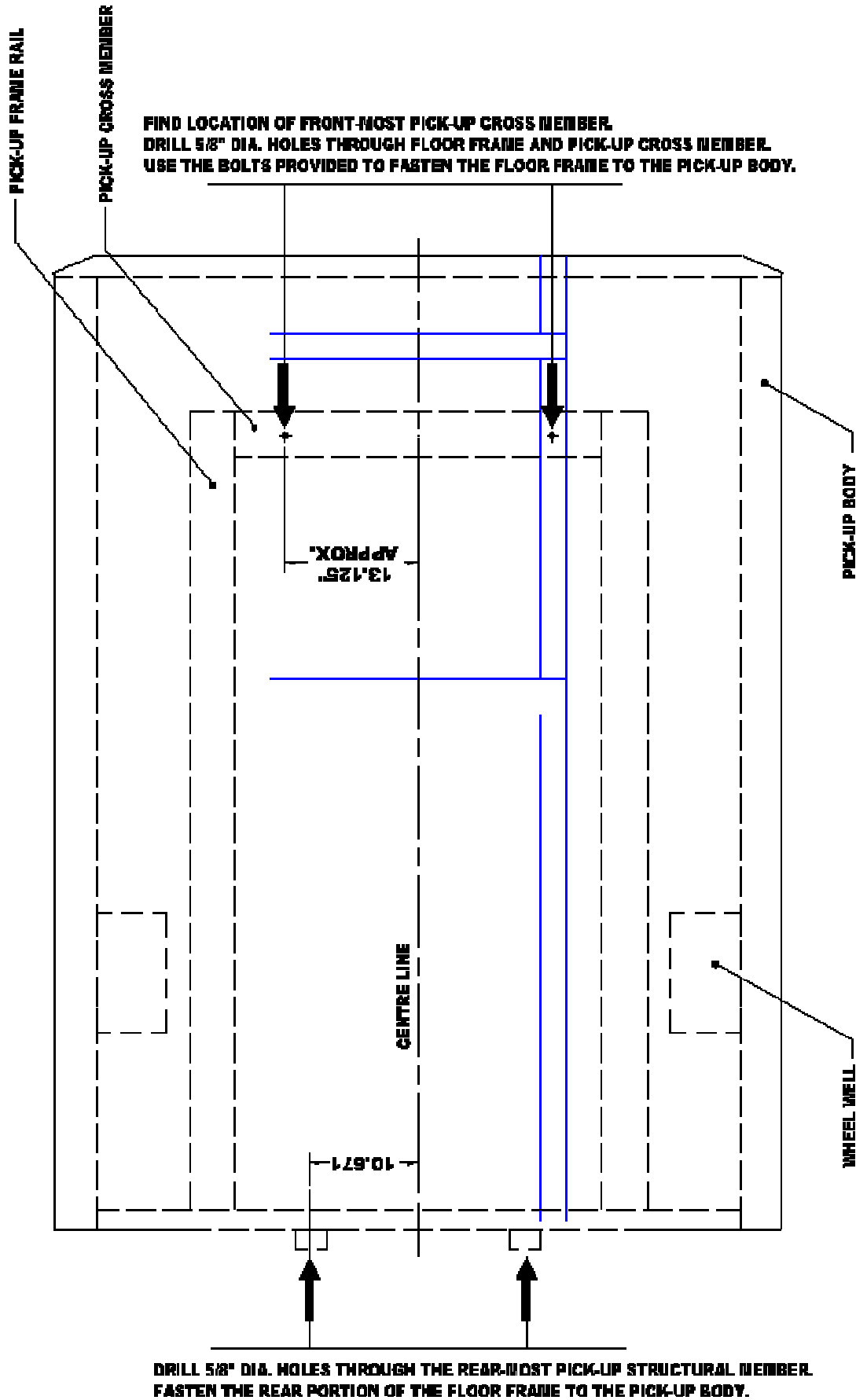
6. The control box for the insert can be located inside the cab, or left in the truck bed. If you want to leave the control box in the truck bed, skip to the next step.

To locate the control box in the cab, remove the three wire terminals from the pump. If necessary, drill a hole in the cab, run the wires back to the pump and reconnect them.

7. Connect the battery cables to the hydraulic pump. Connect the negative terminal to the bolt on the insert frame directly behind the pump. Connect the positive terminal to the bolt on top of the solenoid closer to the hydraulic fluid reservoir.
8. Mount the circuit breaker not more than 18" [46 cm] from battery (self-tapping screws provided). Connect 20' [6 m] long red battery cable to either terminal on circuit breaker and back to insert. Connect 20' [6 m] long black cable to negative battery post and back to insert. Connect short red cable to other circuit breaker terminal and to positive battery post.

After all electrical connections have been completed, we recommend that all contacts and terminals be sprayed with corrosion resistant spray or lightly coated with lithium grease.

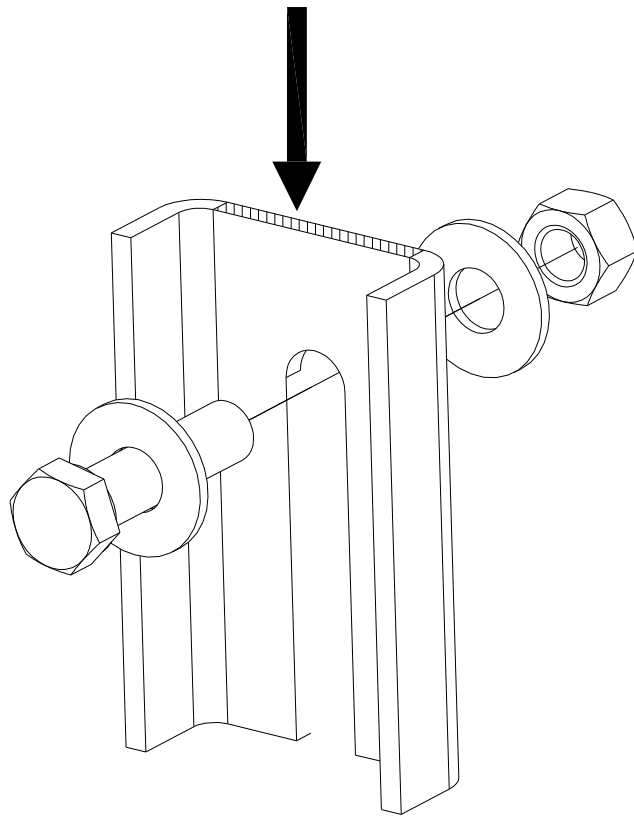
FLOOR FRAME DIAGRAM



INSTALLATION (continued)

9. Rear channel brackets are to be welded to the floor frame. Cover weld spots with touch up paint. Drill 5/8" holes to line up with the truck's under-frame-rail. Ensure no electrical cables are in the way. The distance between each bracket and the centre line of the truck should be equal.

WELD TO FLOOR FRAME HERE



NOTE: Check the bolts after driving the vehicle 160 km (100 miles) and periodically thereafter to ensure they remain tight.

LIMITED WARRANTY

AVALANCHE® LANDSLIDE® PRODUCTS

General Provisions

Ledex Industries warrants its products to be free from manufacturing defects under normal use and service conditions and will repair or replace, at its option, any products or components that are proven to be defective during the warranty period as specified below. This warranty extends to the original retail purchaser only and commences on the date of original purchase. Ledex Industries' maximum liability under this warranty is limited to the cost of the repair or replacement of any defective products or components, and excludes any incidental or consequential damages. The warranty period is as follows:

Landslide Dump Inserts: 2 years from date of purchase

Landslide Tailgate Spreaders: 1 year from date of purchase

Items Warranted Separately

This warranty does not apply to certain components that are warranted separately by the original equipment manufacturers including, but not limited to, electric or gasoline motors, hydraulic pumps, hydraulic cylinders.

Items not Covered

Ledex Industries is not responsible for the following:

Premiums charged for overtime labor requested by the purchaser, transportation to and from the dealership or service calls made by the dealer, products purchased used, products that have been altered or modified in ways not approved by Ledex Industries, depreciation or damage caused by normal wear and tear, lack of reasonable and proper maintenance, failure to follow operating or installation instructions, misuse, lack of proper protection during storage, or accidents, and normal maintenance costs.

Parts Replaced under Warranty

If Ledex Industries elects to repair a defective product or component thereof, Ledex Industries will, at its discretion, utilize either new or remanufactured parts or components. If any such part or component proves to be defective within 12 months of installation or before expiration of this warranty, whichever is later, Ledex Industries, Inc. will repair or replace, as it elects, such defective part or component.

Securing Warranty Services

To obtain service under this warranty, the original retail purchaser must request warranty service during the applicable period of warranty from a dealer authorized to sell the product being serviced. When making such a request, the purchaser must present evidence of the product's original purchase date, and make the product available for service at the dealer's place of business.

LIMITED WARRANTY (continued)

Limitations

The selling dealer has no authority to make any representation or promise on behalf of Ledex Industries or to modify the terms or limitations of this warranty in any way. Ledex Industries shall have sole discretion to determine whether a product or component is defective. Ledex Industries reserves the right to discontinue or modify any of its products and, if Ledex Industries elects to replace a defective product under this warranty which has been discontinued or modified, it may do so with a product deemed by Ledex Industries to be of comparable quality and function.

THIS WARRANTY IS GRANTED IN LIEU OF ALL OTHER WARRANTIES WHETHER EXPRESS OR IMPLIED INCLUDING, WITHOUT LIMITATION, THE IMPLIED WARRANTIES OF MERCHANTABILITY AND FITNESS FOR A PARTICULAR PURPOSE. UNDER NO CIRCUMSTANCE SHALL LEDEX INDUSTRIES BE LIABLE FOR ANY CONSEQUENTIAL OR INCIDENTAL DAMAGES OF ANY NATURE RESULTING FROM ANY DEFECT IN THE PRODUCT OR ITS COMPONENT PARTS. SOME STATES OR PROVINCES DO NOT ALLOW LIMITATIONS ON OR EXCLUSION OF IMPLIED WARRANTIES OR INCIDENTAL AND CONSEQUENTIAL DAMAGES SO THE ABOVE EXCLUSIONS MAY NOT APPLY TO YOU.

CONTACT INFORMATION

Tel: +1-800-232-6950 (North America)
+1-905-465-4044 (Other)

Email: customer@ledexindustries.com

Fax: +1-905-465-0705

Mail: Avalanche Customer Service
565 Speers Rd.
Oakville, Ontario L6K 2G4 (Canada)



You Never Regret Buying Quality