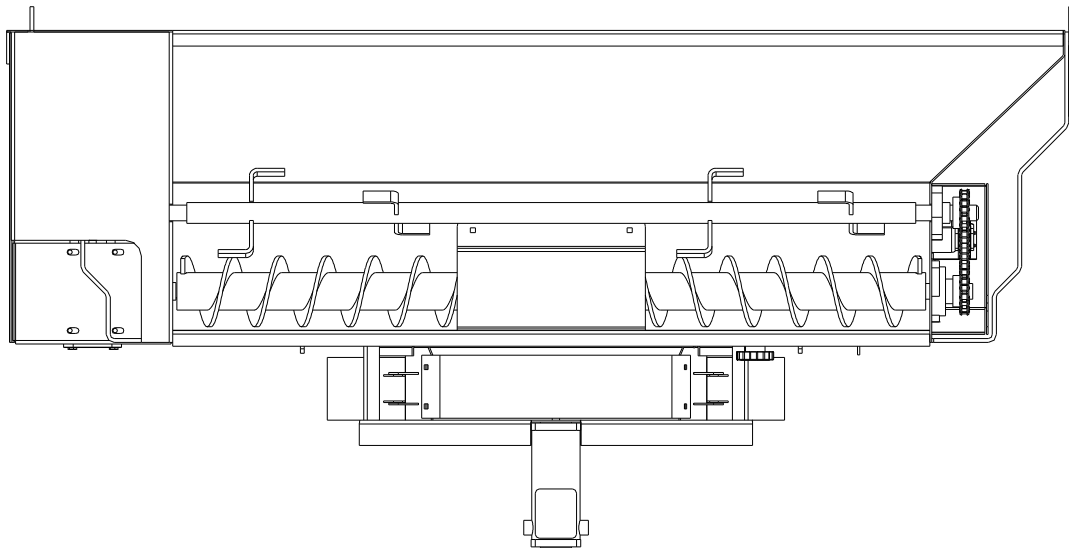
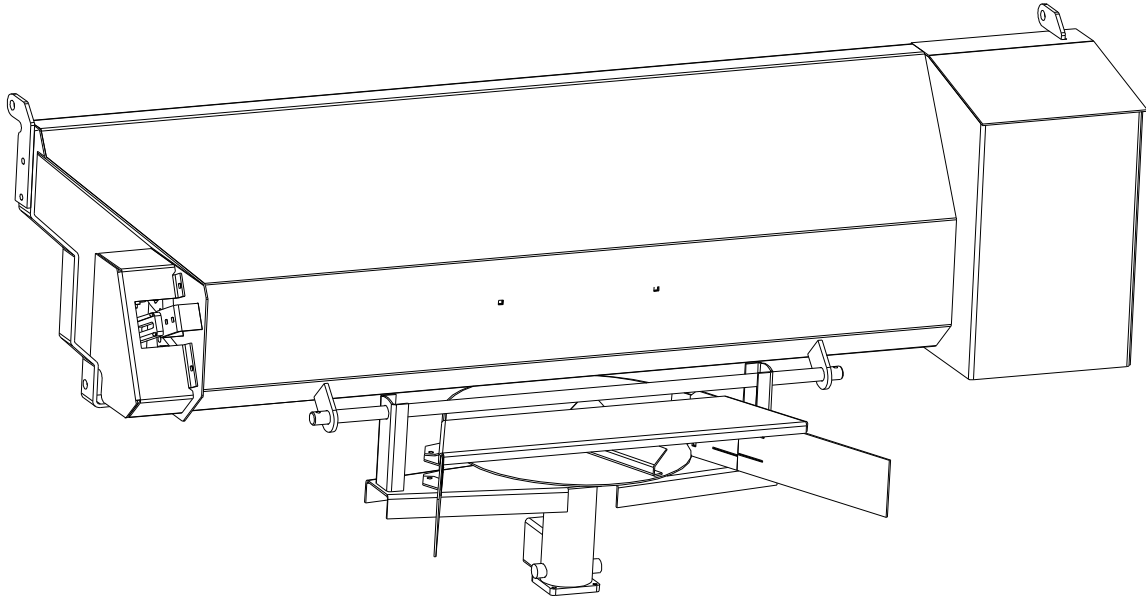


Avalanche® Landslide®

# Tailgate Spreader

Owner's Manual



You Never Regret Buying Quality

## **TABLE OF CONTENTS**

- 3. Safety**
- 4. Main Components View**
- 5. Installation**
- 6. Wiring Diagram**
- 7. Spinner Adjustment**
- 8. Salt Door Adjustment**
- 9. Agitator Chain Adjustment**
- 10. Maintenance**
- 11. Warranty**
- 13. Contact Information**

# SAFETY

## LEARN EQUIPMENT SAFETY

Read this manual carefully. Learn how to safely operate the Landslide spreader and how to use the controls properly. Do not allow anyone to operate the Landslide spreader without proper training and instruction. Unauthorized modification to the Landslide spreader may impair the function and/or safety of the unit.

## FOLLOW SAFETY INSTRUCTIONS

Read all safety messages in this manual and on the Landslide spreader safety labels. Follow recommended precautions and safe operating practice. Maintain all safety labels on the Landslide spreader in good condition. Replace missing or damaged safety labels with new labels available through your Avalanche Landslide dealer.

## SAFETY WARNINGS

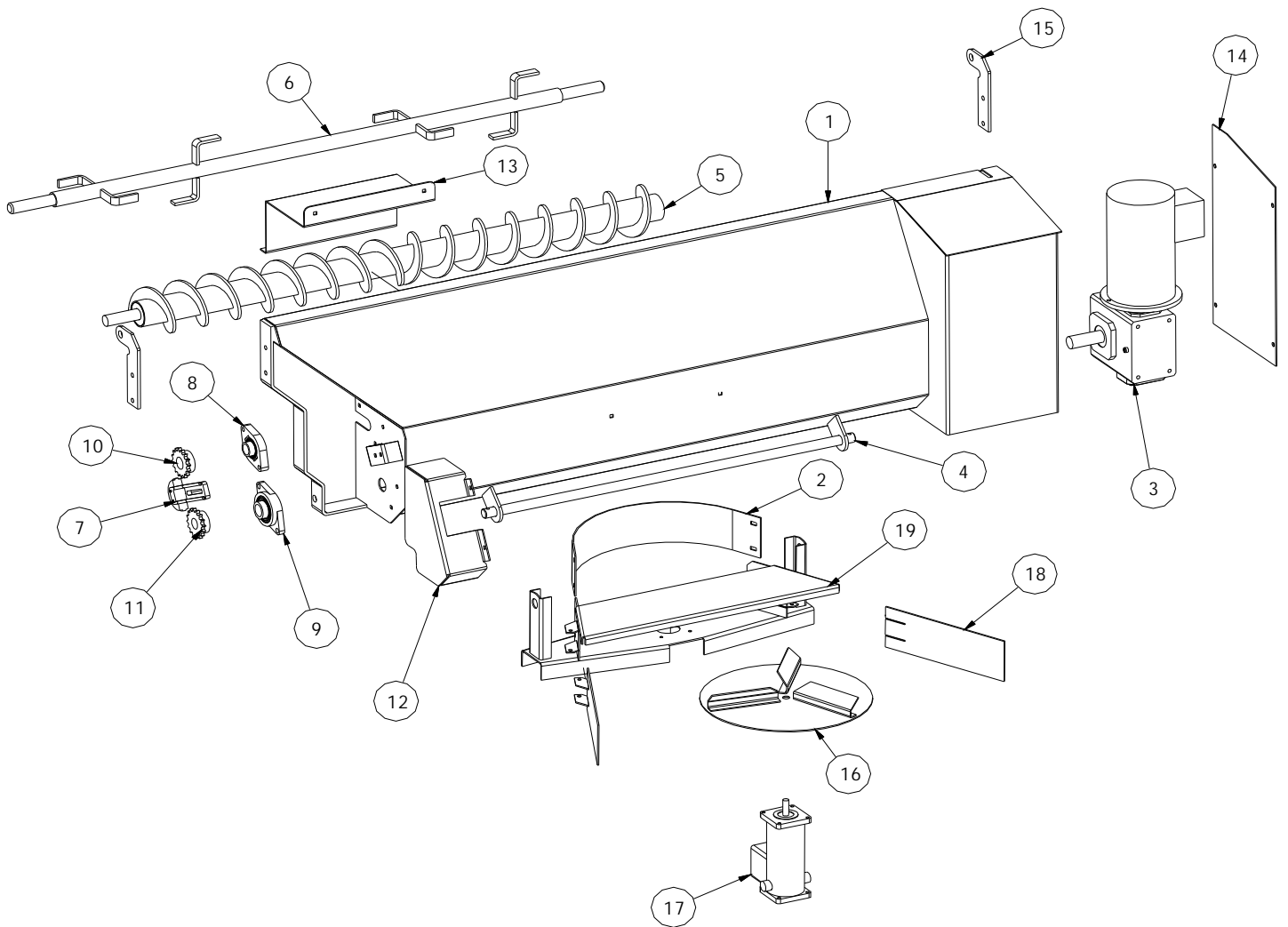
The purpose of safety symbols is to attract attention to possible dangers. The safety symbols and explanations with them deserve your careful attention. The safety warnings do not by themselves eliminate any danger. The instructions or warnings they give are not substitutes for proper accident prevention measures.

**DANGER!** Identifies the most serious hazards.

**WARNING!** Failure to obey a safety warning can result in injury to yourself and others

**NOTE:** Advises of general information or instructions vital to the operation or maintenance of the equipment

# MAIN COMPONENTS



1. Spreader Assembly
2. Spinner deflector
3. Auger electric motor
4. Spinner hanging rod
5. Auger
6. Agitator sub-assembly
7. Chain tensioner
8. Bearing
9. Bearing
10. Sprocket

11. Sprocket
12. Sprocket housing
13. Chute cover
14. Motor housing side cover
15. Top hinging bracket
16. Spinner disc sub-assembly
17. Spinner electric motor
18. Deflector extension sub-assembly
19. Spinner base sub-assembly

## INSTALLATION

### TAILGATE ASSEMBLY

1. Remove the tailgate included with the Landslide Dump Insert.
2. Using the lifting loop on the spreader tailgate, raise the unit into position and secure in place with the standard locking pins provided with the dump insert.

**WARNING!** The spreader tailgate assembly without spinner assembly or safety guard weighs approximately 225 lbs [100 kg]. Be certain that your lifting device can safely handle this load.

**WARNING!** Make sure that the tailgate locking pins are fully engaged.

Step 3. Open the safety chain links provided on both sides of the tailgate assembly and connect to a link from the Landslide tailgate chain. It's recommended that the chain have the least amount of slack possible between the dump body and the tailgate.

Step 4. Close the safety chain links and tighten.

### SPINNER ASSEMBLY

1. Install the spinner assembly so that it hangs freely at the bottom of the tailgate. This is accomplished by threading the included 3/4" diameter bar through the tabs on the bottom of the tailgate and through the spinner assembly so that the spinner is suspended between the tabs with the open side of the spinner facing the rear.

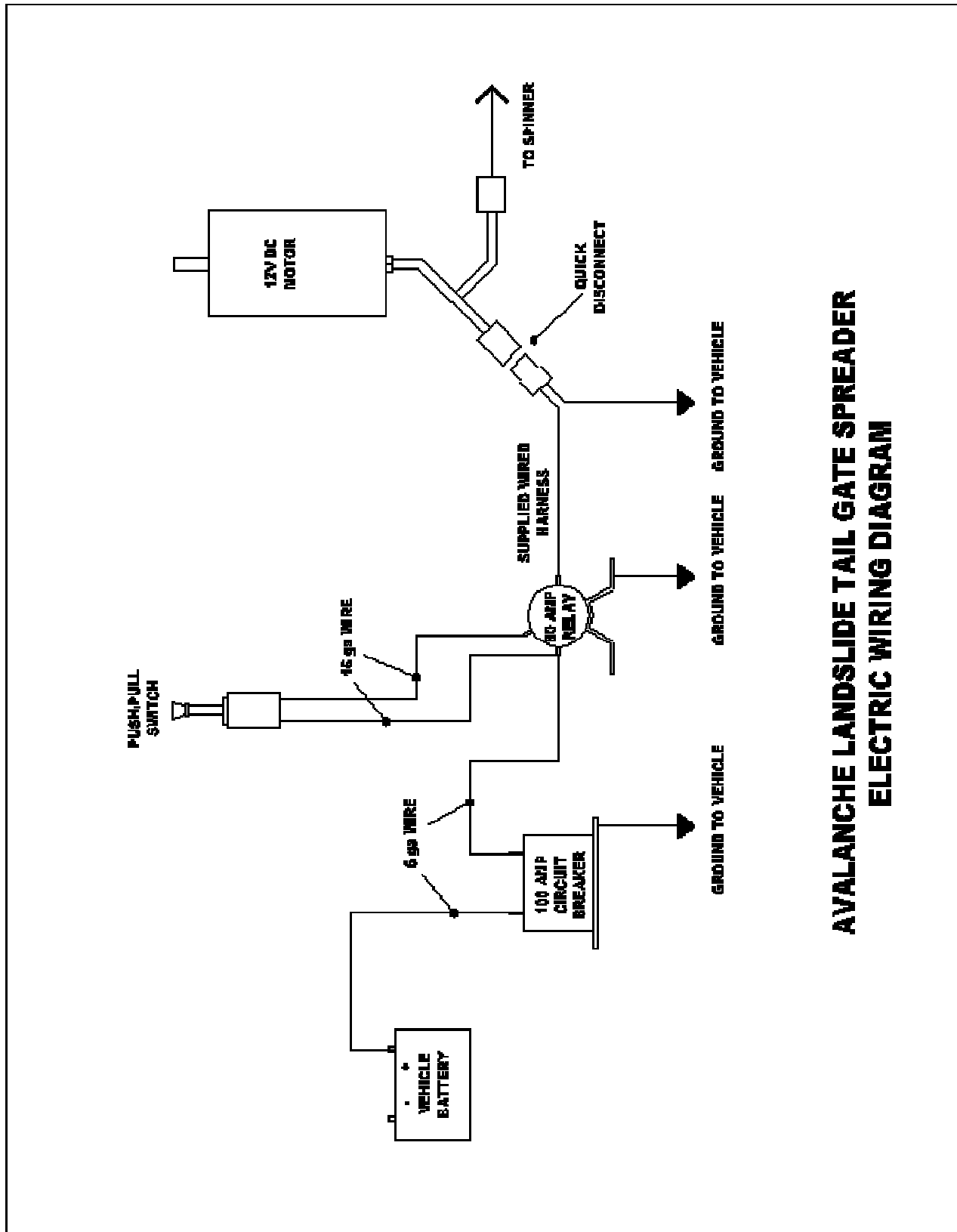
**NOTE** The bar should be positioned so that the end with the multiple holes through it is closest to the right side of the vehicle.

2. Secure the mounting bar in place using the two lynch pins and fold the locking spring clips over the ends of the bar.

3. Use the two spring cotter pins to fix the spinner assembly into position under the gate opening in the spreader.

4. Using two 1/4" x 3/4" bolts, attach the spinner side deflector to the left side of the spinner housing.

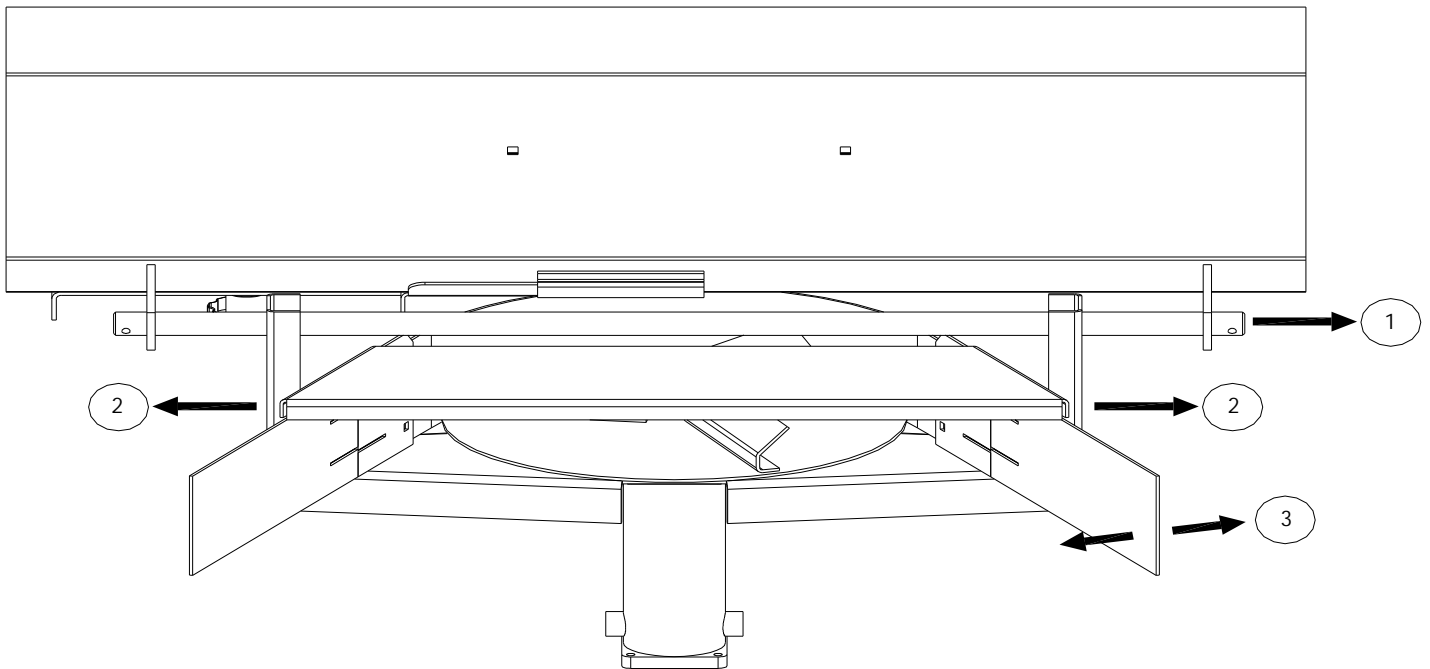
# ELECTRIC WIRING DIAGRAM



**AVALANCHE LANDSLIDE TAIL GATE SPREADER  
ELECTRIC WIRING DIAGRAM**

## SPINNER ADJUSTMENT

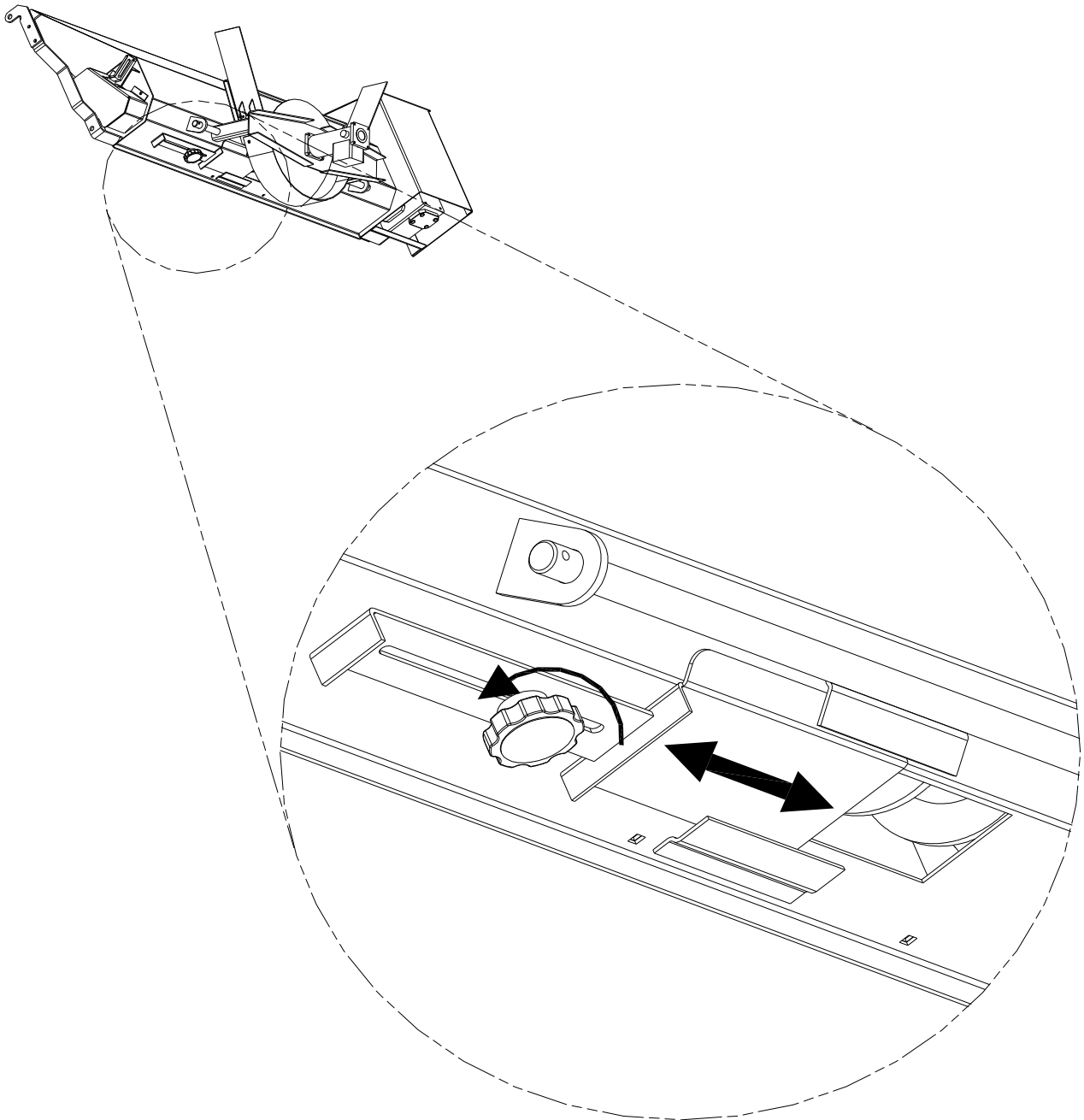
1. Check and/or install lock pins to lock the spinner assembly shaft.
2. Slide the spinner position left or right in relation to the salt door opening. Use the adjusting screw provided.
3. Adjust the deflector flaps to control the final spread pattern.



## SALT DOOR ADJUSTMENT

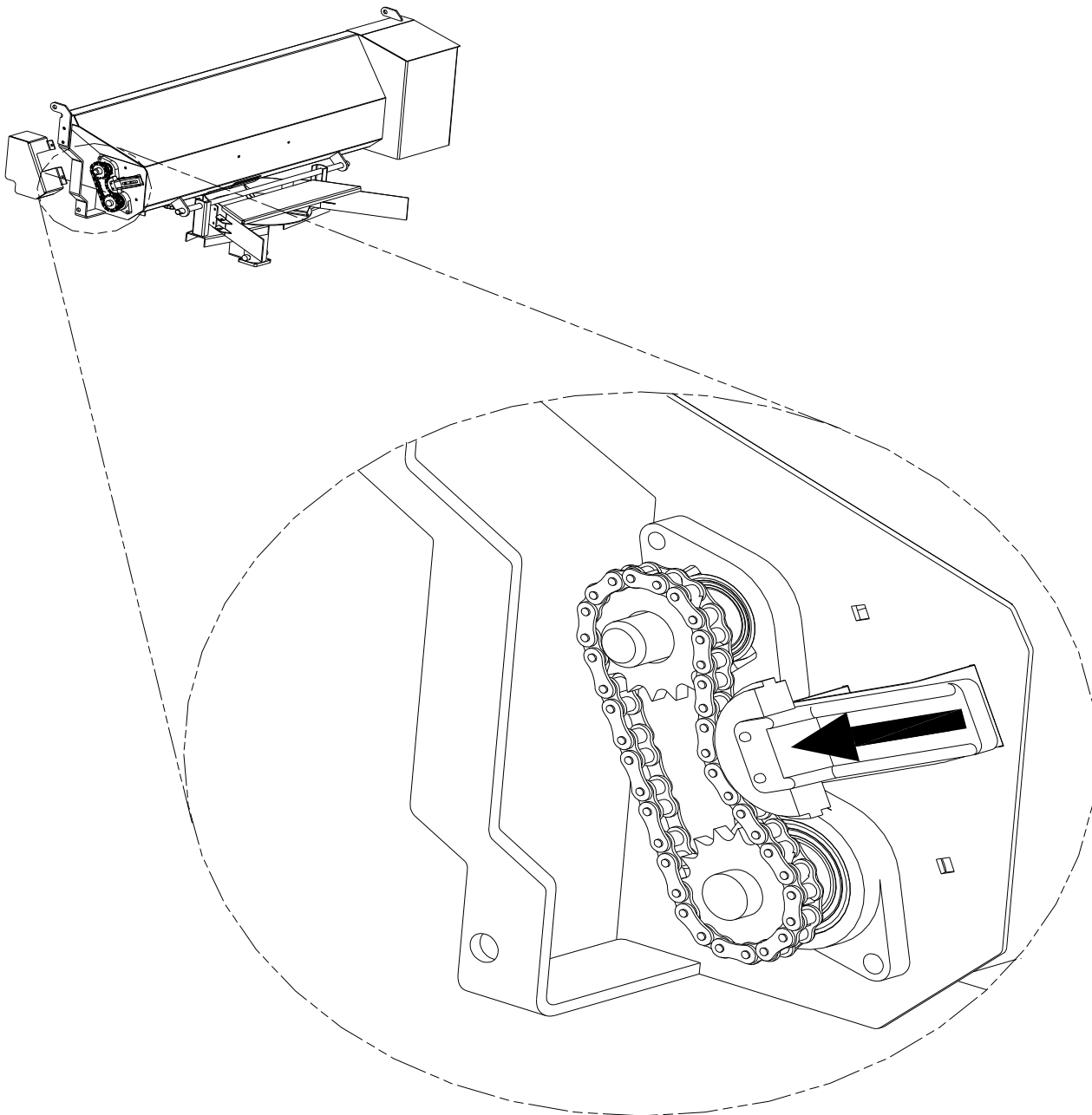
**WARNING:** Never make any adjustments while spreader is in operation. Turn off unit before performing any work on the mechanism.

1. Loosen the retaining bolt(s) and slide the spreader gate open or closed to regulate the volume of material released to the spinner.
2. Tighten the bolts once the desired adjustment is achieved.



## AGITATOR CHAIN ADJUSTMENT

1. Remove the sprocket housing from the right side of the tailgate unit.
2. Loosen the retaining bolts that fasten the chain tensioner to the tailgate.
3. Press the tensioner against the chain to set the tension and tighten the bolts.
4. Tighten chain so that when it's pressed it moves one thumb's width (approx. 1" of slack).



## MAINTENANCE

### GEARBOX LUBRICATION

The gearbox requires no lubrication for 4 years. The gearbox is self lubricating and sealed by the manufacturer. Refill using *synthetic* gear lubricant.

### BEARING LUBRICATION

Grease the auger outboard bearing after every 25 hours of use or monthly with cold weather multi-purpose grease.

### ROLLER CHAIN LUBRICATION

Oil the chain after every shift (or snow event) and at the end of every season.

### OPERATION & PRE-STARTING CHECKS

1. Ensure the agitator roller chain is lubricated.
2. Check tension adjustments on agitator roller chain.
3. Visually inspect the entire spreader for loose or missing fasteners.
4. Open the spreader gate to obtain desired feed rate.
5. Set chute flap adjustment to desired pattern.

**WARNING: Never adjust external spinner deflector while spinner is in operation.**

### SPREADER OPERATION

**DANGER! Do not reach over the top of the tailgate or reach into the bed with any tool or part of your body. Severe injury or death may result.**

1. To begin spreading, raise the Landslide to shift the load to the rear and fill the auger feed chamber. Lower the Landslide bed and start spreading.

NOTE: Some trucks have step bumpers and/or hitch mounts that will limit the ability to fully raise the dump bed without the sphere assembly hitting the bumper. Be careful to check and note the maximum height of your vehicle or damage to the spreader may result.

2. Adjust the spinner location, spinner deflector, and gate opening to the appropriate settings.

3. Engage control switch to begin conveyor and spinner operation.

**NOTE: Do not run sander unless vehicle engine is running. Failure to do so may result in a discharged (dead) battery.**

# LIMITED WARRANTY

## AVALANCHE® LANDSLIDE® PRODUCTS

### General Provisions

Ledex Industries warrants its products to be free from manufacturing defects under normal use and service conditions and will repair or replace, at its option, any products or components that are proven to be defective during the warranty period as specified below. This warranty extends to the original retail purchaser only and commences on the date of original purchase. Ledex Industries' maximum liability under this warranty is limited to the cost of the repair or replacement of any defective products or components, and excludes any incidental or consequential damages. The warranty period is as follows:

Landslide Dump Inserts: 2 years from date of purchase

Landslide Tailgate Spreaders: 1 year from date of purchase

### Items Warranted Separately

This warranty does not apply to certain components that are warranted separately by the original equipment manufacturers including, but not limited to, electric or gasoline motors, hydraulic pumps, hydraulic cylinders.

### Items not Covered

Ledex Industries is not responsible for the following:

Premiums charged for overtime labor requested by the purchaser, transportation to and from the dealership or service calls made by the dealer, products purchased used, products that have been altered or modified in ways not approved by Ledex Industries, depreciation or damage caused by normal wear and tear, lack of reasonable and proper maintenance, failure to follow operating or installation instructions, misuse, lack of proper protection during storage, or accidents, and normal maintenance costs.

### Parts Replaced under Warranty

If Ledex Industries elects to repair a defective product or component thereof, Ledex Industries will, at its discretion, utilize either new or remanufactured parts or components. If any such part or component proves to be defective within 12 months of installation or before expiration of this warranty, whichever is later, Ledex Industries, Inc. will repair or replace, as it elects, such defective part or component.

### Securing Warranty Services

To obtain service under this warranty, the original retail purchaser must request warranty service during the applicable period of warranty from a dealer authorized to sell the product being serviced. When making such a request, the purchaser must present evidence of the product's original purchase date, and make the product available for service at the dealer's place of business.

## LIMITED WARRANTY (continued)

### Limitations

The selling dealer has no authority to make any representation or promise on behalf of Ledex Industries or to modify the terms or limitations of this warranty in any way. Ledex Industries shall have sole discretion to determine whether a product or component is defective. Ledex Industries reserves the right to discontinue or modify any of its products and, if Ledex Industries elects to replace a defective product under this warranty which has been discontinued or modified, it may do so with a product deemed by Ledex Industries to be of comparable quality and function.

THIS WARRANTY IS GRANTED IN LIEU OF ALL OTHER WARRANTIES WHETHER EXPRESS OR IMPLIED INCLUDING, WITHOUT LIMITATION, THE IMPLIED WARRANTIES OF MERCHANTABILITY AND FITNESS FOR A PARTICULAR PURPOSE. UNDER NO CIRCUMSTANCE SHALL LEDEX INDUSTRIES BE LIABLE FOR ANY CONSEQUENTIAL OR INCIDENTAL DAMAGES OF ANY NATURE RESULTING FROM ANY DEFECT IN THE PRODUCT OR ITS COMPONENT PARTS. SOME STATES OR PROVINCES DO NOT ALLOW LIMITATIONS ON OR EXCLUSION OF IMPLIED WARRANTIES OR INCIDENTAL AND CONSEQUENTIAL DAMAGES SO THE ABOVE EXCLUSIONS MAY NOT APPLY TO YOU.

## CONTACT INFORMATION

Tel: +1-800-232-6950 (North America)

+1-905-465-4044 (Other)

Email: [customer@ledexindustries.com](mailto:customer@ledexindustries.com)

Fax: +1-905-465-0705

Mail: Avalanche Customer Service

565 Speers Rd.

Oakville, Ontario L6K 2G4 (Canada)



You Never Regret Buying Quality